



Stainless Steel Condensate Return Units



Pressurized and Atmospheric Deaerators

HIGH QUALITY STAINLESS STEEL
EXCEPTIONAL VALUE,
EXTRAORDINARY QUALITY

industrialsteam.com

Stainless Steel Condensate Return Units



Aero Stainless Steel Condensate Return Units from Industrial Steam offer the best materials available for long life. Tanks have a 20 year warranty against corrosion and are made from 12 gauge 304 SS with internal ribbing where needed for excellent strength. Available in five standard sizes; 12, 25, 45, 70 and 100 gallon capacities (custom sizes and configurations as required); tanks only, and in simplex or duplex pump configuration (triplex and quadplex available on request). Compact dimensions and light weight make it a simple task to replace your old cast iron unit. System accessories are of the highest quality. These tanks are made to fit many other brands of vertical flange mount pumps. Be sure to see our pumps for a complete system.

Pumps are made of investment cast stainless steel. The single stage impeller is of semi-open design allowing for occasional pumping of small solids without clogging. Pump is externally adjustable to like new performance should wear ever occur.

Pumps are permanently aligned to the electric motor, never requiring alignment at the job sight. Pumps are furnished with 250°F mechanical seals, and are equipped with a seal cavity bleed line to keep the seal lubricated and minimize the probability of premature seal failure. Pump discharge openings are NPT.

Electric Motors are drip proof ball bearing as standard. Standard motors are: three phase- 208/230/460 V TEFC, Single phase -11 5/208/230 V ODP. Various other voltages are available on request. Other motors available are explosion proof, wash down duty, premium efficiency, and any other motor available with a 56C frame.

Motor/pump controls available for simplex, duplex, triplex, and quadplex, in single phase, or three phase with a limitless list of available options for any requirement. Nema 1 is standard enclosure. All other enclosures available.

Simplex & Duplex Tank/Pump Selection Guide

TANK SIZE	EDR (SQ.FT)	GPM	PSIG	MOTOR HP	SIMPLEX MODEL NUMBER THREE PHASE	SIMPLEX MODEL NUMBER SINGLE PHASE	DUPLEX MODEL NUMBER THREE PHASE	DUPLEX MODEL NUMBER SINGLE PHASE
12	4000	6	10	1/3	1210C4AB3S	1210C4AB1S	1210C4AB3D	1210C4AB1D
12	4000	6	20	1/3	1220C4AB3S	1220C4AB1S	1220C4AB3D	1220C4AB1D
12	4000	6	25	1/2	1225C4AB3S	1225C4AB1S	1225C4AB3D	1225C4AB1D
12	4000	6	30	3/4	1230C5AB3S	1230C5AB1S	1230C5AB3D	1230C5AB1D
12	4000	6	40	1	1240C5AB3S	1240C5AB1S	1240C5AB3D	1240C5AB1D
12	4000	6	50	1 1/2	1250C6AB3S	1250C6AB1S	1250C6AB3D	1250C6AB1D
12	6000	9	10	1/3	1210C4AB3S	1210C4AB1S	1210C4AB3D	1210C4AB1D
12	6000	9	25	1/2	1225C4AB3S	1225C4AB1S	1225C4AB3D	1225C4AB1D
12	6000	9	30	1	1230C5AB3S	1230C5AB1S	1230C5AB3D	1230C5AB1D
12	6000	9	40	1 1/2	1240C6AB3S	1240C6AB1S	1240C6AB3D	1240C6AB1D
12	6000	9	50	1 1/2	1250C6AB3S	1250C6AB1S	1250C6AB3D	1250C6AB1D
25	10000	15	10	1/3	2510C4AB3S	2510C4AB1S	2510C4AB3D	2510C4AB1D
25	10000	15	20	1/2	2525C4BC3S	2525C4BC1S	2525C4BC3D	2525C4BC1D
25	10000	15	30	1	2530C5BC3S	2530C5BC1S	2530C5BC3D	2530C5BC1D
25	10000	15	40	1 1/2	2540C5BC3S	2540C5BC1S	2540C5BC3D	2540C5BC1D
25	10000	15	50	2	2550C6BC3S	2550C6BC1S	2550C6BC3D	2550C6BC1D
25	15000	22.5	10	1/3	2510C4AB3S	2510C4AB1S	2510C4AB3D	2510C4AB1D
25	15000	22.5	20	1/2	2520C4AB3S	2520C4AB1S	2520C4AB3D	2520C4AB1D
25	15000	22.5	25	1	2525C5BC3S	2525C5BC1S	2525C5BC3D	2525C5BC1D
25	15000	22.5	30	1 1/2	2530C5BC3S	2530C5BC1S	2530C5BC3D	2530C5BC1D
25	15000	22.5	40	2	2540C6BC3S	2540C6BC1S	2540C6BC3D	2540C6BC1D
25	15000	22.5	50	3	2550C6CD3S	—	2550C6CD3D	—
45	20000	30	10	1/3	4510C4BC3S	4510C4BC1S	4510C4BC3D	4510C4BC1D
45	20000	30	20	3/4	4520C4CD3S	4520C4CD1S	4520C4CD3D	4520C4CD1D
45	20000	30	25	1	4525C5CD3S	4525C5CD1S	4525C5CD3D	4525C5CD1D
45	20000	30	30	1 1/2	4530C5BC3S	4530C5BC1S	4530C5BC3D	4530C5BC1D
45	20000	30	40	2	4540C6BC3S	4540C6BC1S	4540C6BC3D	4540C6BC1D
45	25000	37.5	10	1/2	4510C4BC3S	4510C4BC1S	4510C4BC3D	4510C4BC1D
45	25000	37.5	20	3/4	4520C4CD3S	4520C4CD1S	4520C4CD3D	4520C4CD1D
45	25000	37.5	25	1 1/2	4525C5BC3S	4525C5BC1S	4525C5BC3D	4525C5BC1D
45	25000	37.5	30	1 1/2	4530C5CD3S	4530C5CD1S	4530C5CD3D	4530C5CD1D
45	25000	37.5	40	3	4540C6BC3S	—	4540C6BC3D	—
45	30000	45	10	1/2	4510C4CD3S	4510C4CD1S	4510C4CD3D	4510C4CD1D
45	30000	45	20	3/4	4520C4CD3S	4520C4CD1S	4520C4CD3D	4520C4CD1D
45	30000	45	25	1 1/2	4525C5BC3S	4525C5BC1S	4525C5BC3D	4525C5BC1D
45	30000	45	30	2	4530C5CD3S	4530C5CD1S	4530C5CD3D	4530C5CD1D
45	30000	45	40	3	4540C6BC3S	—	4540C6BC3D	—
70	40000	60	10	3/4	7010C4DE3S	7010C4DE1S	7010C4DE3D	7010C4DE1D
70	40000	60	20	1	7020C4DE3S	7020C4DE1S	7020C4DE3D	7020C4DE1D
70	40000	60	25	2	7025C5CD3S	7025C5CD1S	7025C5CD3D	7025C5CD1D
70	40000	60	30	2	7030C5CD3S	7030C5CD1S	7030C5CD3D	7030C5CD1D
70	50000	70	10	3/4	7010C4DE3S	7010C4DE1S	7010C4DE3D	7010C4DE1D
70	50000	70	20	1	7020C4EF3S	7020C4EF1S	7020C4EF3D	7020C4EF1D
70	50000	25	25	2	7025C5CD3S	7025C5CD1S	7025C5CD3D	7025C5CD1D
100	60000	90	15	1	10015C4EF3S	10015C4EF1S	10015C4EF3D	10015C4EF1D

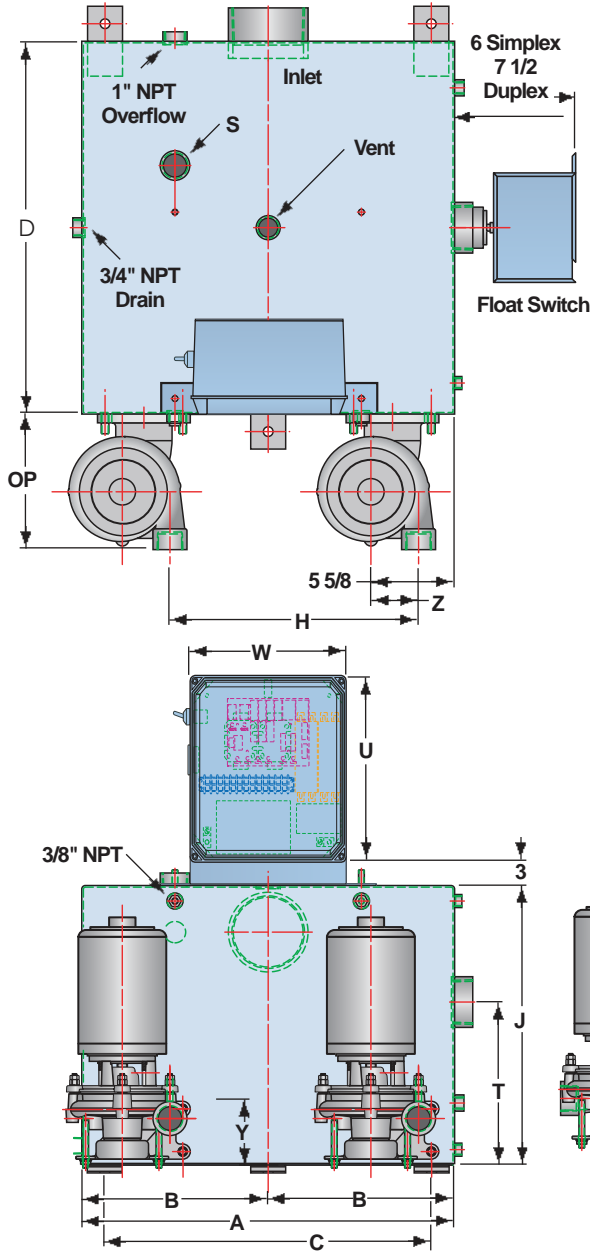
Standard unit includes: SS tank complete with flange mounted SS pump close coupled to motor of HP shown 115/208-230V/1/60 or 208-230/460v/3/60 3450 RPM ODP. Simplex unit has NEMA 1 float switch and duplex has NEMA 1 alternating float switch. Sight Glass is standard.

Available motor options: TEFC, washdown duty, & explosion proof motors.

Additional Accessories: Thermometer, Nema 4 electrics, Isolation valves

Stainless Steel Condensate Unit Dimensions

Pump Dimensions

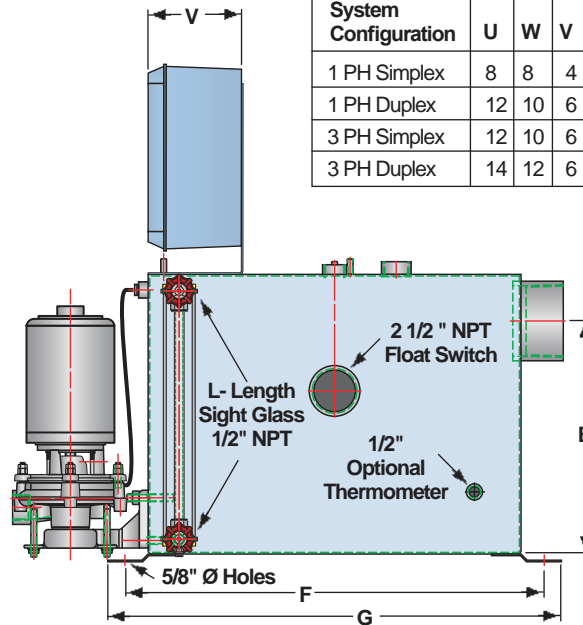


Model	Pump Size				
	Disch.	Imp. Ø	OP	Y	Z
C4AB	1/2	4	8	2 1/16	2 5/16
C4BC	3/4	4	6 3/4	2 1/8	2 7/16
C4CD	1	4	8 3/16	2 3/8	2 3/4
C4DE	1 1/4	4	8 3/8	2 5/8	2 3/4
C4EF	1 1/2	4	8 3/8	2 15/16	2 13/16
C5AB	1/2	5	8 1/2	2 3/16	2 3/4
C5BC	3/4	5	8 1/2	2 3/16	2 13/16
C5CD	1	5	8 5/8	2 3/8	3
C5DE	1 1/4	5	9 3/16	2 11/16	3 1/16
C6AB	1/2	6	8 7/8	2 3/8	3 5/16
C6BC	3/4	6	9 3/8	2 3/16	3 1/4
C6CD	1	6	10 1/16	3	3 3/16

Note: OP Dimension will be 3" longer with optional isolation valve is added

Control Box Dimensions

System Configuration	U	W	V
1 PH Simplex	8	8	4
1 PH Duplex	12	10	6
3 PH Simplex	12	10	6
3 PH Duplex	14	12	6



Tank Dimensions

Tank Size	Inlet	Vent	A	B	C	D	E	F	G	H*	J	S	T
12	2	1	17	8 1/2	14 1/4	11 1/2	8 1/2	17	19 3/16	9	11 1/2	3/4	7
25	4	1	18	9	15	20	15	23	25 3/16	10	18	3/4	10 1/2
45	4	1 1/2	24	12	21 1/16	24	15	27	29 3/16	16	18	1 1/2	10 1/2
70	4	1 1/2	30	15	27 1/16	30	15	33	35 3/16	22 1/16	18	1 1/2	10 1/2
100	4	1 1/2	36	18	33 3/16	36	15	39	41 3/16	28	18	1 1/2	10 1/2

*Duplex Tank Only

Stainless Steel Condensate Unit Accessories



Sight Gage Assembly
SS bottom fixture with shut-off valve, SS top fixture, 2- heavy duty SS glass guards, and tempered glass tube.
Butterfly Isolation Valves (Optional)
Butterfly Isolation Valves between pump and receiver are available. These valves are of great value when removing one pump of a duplex system without having to shut the system down.
Float Switches
Float Switches are heavy duty 2 pole with stainless steel rod and float. Duplex alternating float switch includes high level lag pump on feature. Nema 1 standard, Nema 4.7, or 9 are available.
Pressure Gauges (Optional) Not Shown
2 1/2" Liquid Filled SS Casing
Thermometer (Optional)
2 1/2" Diameter face, Bi-metal, 4" stem, Range 32 - 250°F.
Motor Adapters (Optional)
An adapter is available to allow the use of any 56C face motor.



Additional Industrial Products



**High Efficiency
Boilers**

L.E.S Boilers, LLC
Horizontal Boilers
Vertical Boilers
www.lesboilers.com



**INDUSTRIAL
FUEL SYSTEMS, LLC**
Mission Critical Fuel Oil Systems

Industrial Fuel Systems, LLC
Mission Critical Fuel Oil Systems
Pump Sets
www.ifuelsys.com



atlantic
feedwater systems
"Specialists in Boiler Feedwater Equipment"

Atlantic Feedwater Systems, Inc
Boiler Feed Systems
Feedwater Steam
www.boilerfeedsystems.com

W I L S O N



ENGINEERING

Wilson Engineering
Boiler Blowdown Systems
Blowdown Heat Recovery
www.wilsonblowdown.com

Have questions or need help specifying this equipment? Email: engineering@industrialsteam.com

Need help with an existing system or parts? Email: techsupport@industrialsteam.com

Looking for a local representative? Email: sales@industrialsteam.com

Literature available for download at industrialsteam.com



Pressurized and Atmospheric Deaerators

Industrial Steam

1403 SW 7th Street, Atlantic, Iowa 50022
TEL (712) 243-5300 FAX (712) 243-3440

industrialsteam.com